

THE BIRTH OF JESUS

New Testament Lesson #5 • Luke 2:1-20



The newborn baby Jesus is born in a stable and placed in a manger.

PLATE POCKET MANGER

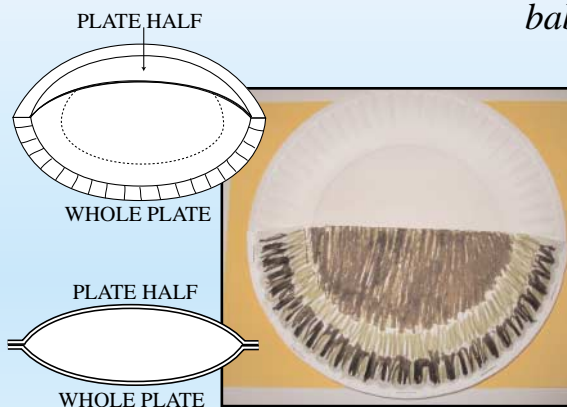
This 3D manger has raffia hay and a cut-out baby Jesus.

Items Needed

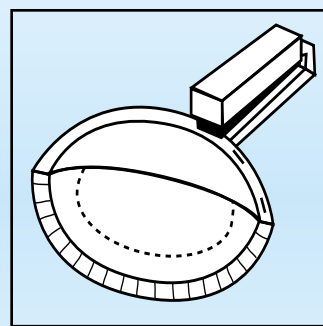
- Raffia
- White paper plates
- Construction paper – white
- Markers or crayons
- Black pen
- Scissors



Be creative! Use real hay, sponge-paint the plate, or cut out a small fabric square and glue a blanket around baby Jesus. You could even find a plastic baby Jesus.



Steps 1 and 2



Step 3



Step 4

Directions

1. Cut one paper plate in half.
2. Color the backside of one of the halves.
3. Staple that half of the plate to a whole paper plate.
4. Draw a baby Jesus. Cut out baby Jesus and color Him.
5. Put some raffia in the paper plate pocket. Place baby Jesus in the pocket.

This craft is designed to be made with adult help and supervision. Some of the material can be prepared beforehand for easier assembling by the children.